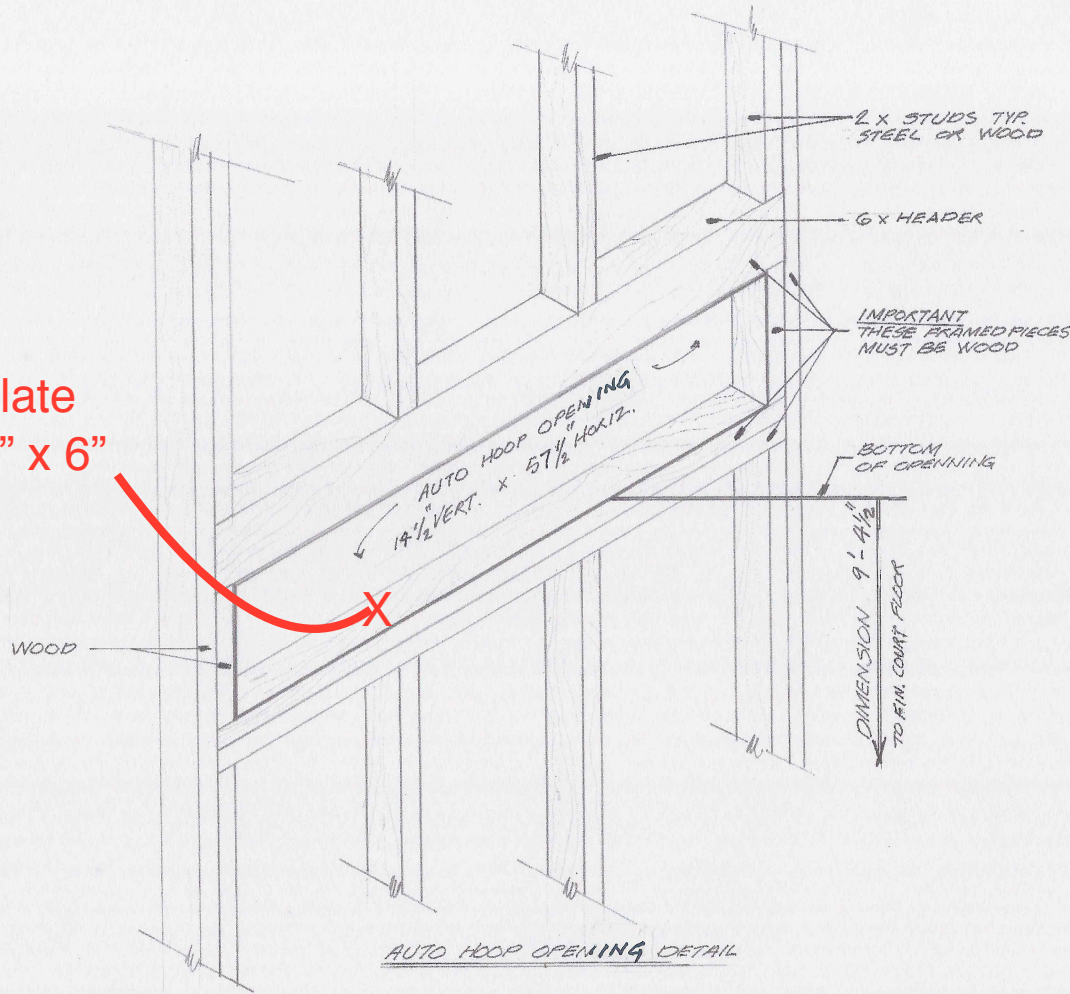


# Please View Drawings 1A and 2A

Note-Sill plate must be a 2" x 6"



## Important Notes:

1. TOTAL MINIMUM space needed for Auto Hoop, behind the play wall, is 78".
2. Provide one (1) 120 volt AC single receptacle behind wall for Auto Hoop.
3. Provide 24" access panel, at rear of space, to access Auto Hoop controls. If not possible, request a fabrication modification to place controls at front area — this way, control access will then be via the wall opening.
4. The Auto Hoop provided control wiring is 65' long. Route this cable before wall panel installation, if wire routing is intended to behind and within the wall structure.

## Auto Hoop Opening Detail

SCALE: NONE

APPROVED BY:

DRAWN BY

DATE: July 18, 2018

REVISED

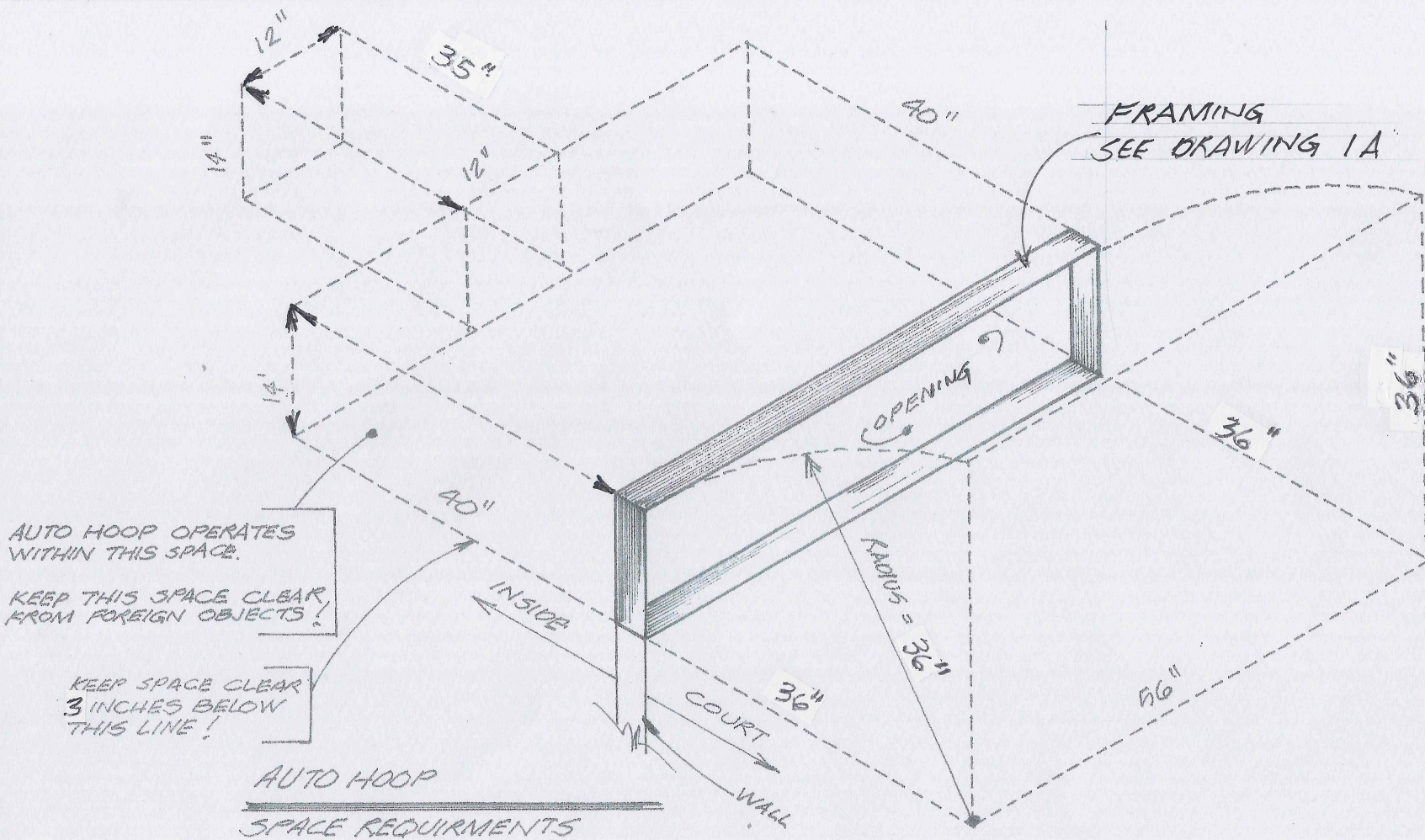
REV 3

Auto Hoop, LLC

DRAWING NUMBER

1A

Scroll Down For Drawing 2A



**Important Note:**

**TOTAL MINIMUM space needed for Auto Hoop behind play wall is 78".**

<h1>Auto Hoop Space Requirements</h1>	
SCALE: <b>NONE</b>	APPROVED BY: _____
DATE: <b>July 18, 2018</b>	DRAWN BY: <i>[Signature]</i>
	REVISED: <b>Rev 3</b>
<h2>Auto Hoop, LLC</h2>	
	DRAWING NUMBER: <b>2A</b>